

Article Information - NCA1157.20, REMSA Brake Disc Heavy Duty Brake Disc

Brand	REMSA
Article No.	NCA1157.20
Description	Brake Disc
Article Status	Normal
Packing Unit	1
Quantity per packing unit	1
EAN	0842797579608
Trade numbers	1157.20 NCA115720

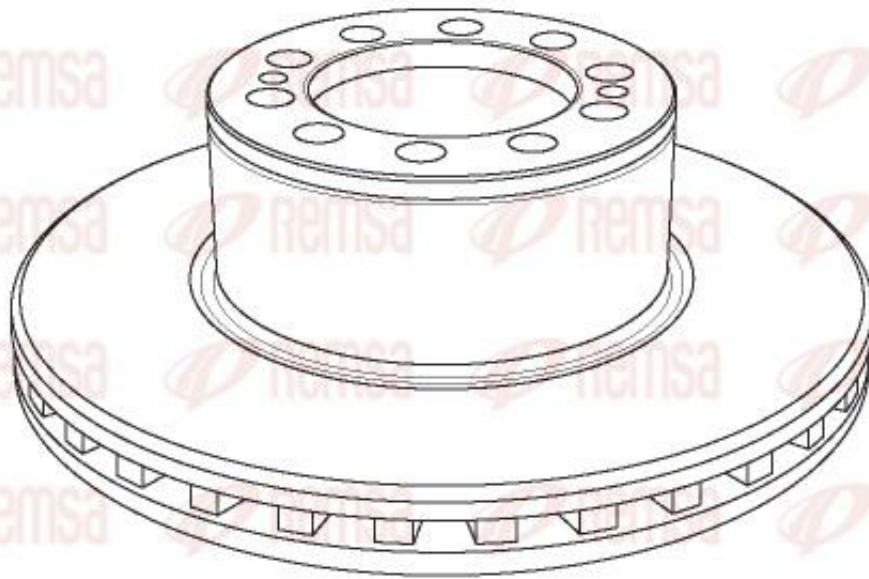
**Criteria**

Fitting Position	Front Axle
Brake Disc Type	Vented
Brake Disc Thickness	45 mm
Ø	430 mm
Bolt Hole Circle Ø	168 mm
Num. of holes	10
Centering Diameter	131 mm
Min. thickness	37 mm
Height	143 mm
Hole Pitch / Number	10x21
Fitting Position	Rear Axle
Weight	36 kg

Manufacturer Address

Name	EUROFREN SYSTEMS, S.L.U.
Street	c/ Pino, 7. P.I. "El Guijar"
Country Code	E
ZIP Code (Town)	28500
Town	Arganda
Town Supplement	MADRID
Telephone	+ 34 902 110 157
Fax	+ 34 902 112 413
Email	marketing@roadhouse.es
Internet	www.remsa.com

Graphics



Linked Vehicles

Description	Model Year	kW	HP	cc	Build	Tonnage	Configuration
-------------	------------	----	----	----	-------	---------	---------------

OE Info

Manufacturer	OE Number	Reference info
MERCEDES-BENZ	9434210312	