

**Article Information - NCA1153.20, REMSA Brake Disc Heavy Duty Brake Disc**

---

Brand	REMSA
Article No.	NCA1153.20
Description	Brake Disc
Article Status	Normal
Packing Unit	1
Quantity per packing unit	1
EAN	0842797579601
Trade numbers	1153.20 NCA115320

**Criteria**

---

Supplementary Article/Info 2	with screw set
Brake Disc Thickness	45 mm
Ø	430 mm
Min. thickness	38 mm
Height	47 mm
Num. of holes	10
Fitting Position	Rear Axle
Weight	27,5 kg

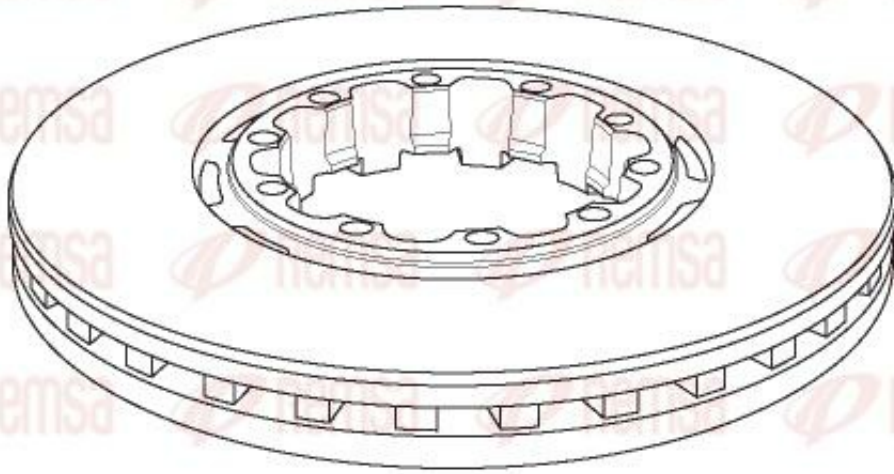
**Manufacturer Address**

---

Name	EUROFREN SYSTEMS, S.L.U.
Street	c/ Pino, 7. P.I. "El Guijar"
Country Code	E
ZIP Code (Town)	28500
Town	Arganda
Town Supplement	MADRID
Telephone	+ 34 902 110 157
Fax	+ 34 902 112 413
Email	marketing@roadhouse.es
Internet	vvv.remsa.com

**Graphics**

---



### Linked Axles

Description	Axle Design	Model Year	Axle Load [kg]
-------------	-------------	------------	----------------

### OE Info

Manufacturer	OE Number	Reference info
SAF	4079001300	
SAF	4079001301	
SAF	4079001302	