

Article Information - NCA1050.20, REMSA Brake Disc Heavy Duty Brake Disc

Brand	REMSA
Article No.	NCA1050.20
Description	Brake Disc
Article Status	Normal
Packing Unit	1
Quantity per packing unit	1
EAN	0842797579534
Trade numbers	NCA105020 1050.20

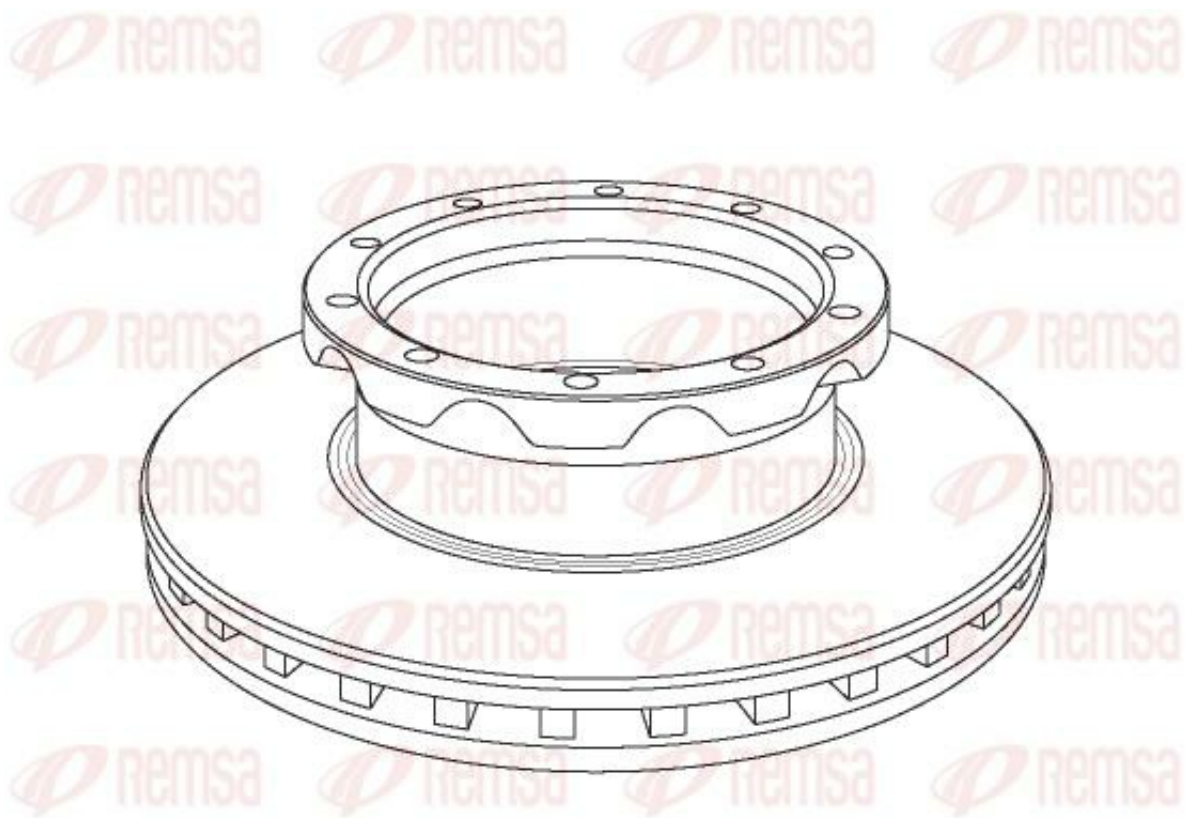
**Criteria**

Num. of holes	10
Centering Diameter	211 mm
Fitting Position	Rear Axle
Ø	430 mm
Height	132,5 mm
Brake Disc Thickness	45 mm
Min. thickness	37 mm
Hole Pitch / Number	10M14
Thread Size	14
Fitting Position	Front Axle
Weight	33 kg

Manufacturer Address

Name	EUROFREN SYSTEMS, S.L.U.
Street	c/ Pino, 7. P.I. "El Guijar"
Country Code	E
ZIP Code (Town)	28500
Town	Arganda
Town Supplement	MADRID
Telephone	+ 34 902 110 157
Fax	+ 34 902 112 413
Email	marketing@roadhouse.es
Internet	vvv.remsa.com

Graphics



Linked Vehicles

Description	Model Year	kW	HP	cc	Build	Tonnage	Configuration
-------------	------------	----	----	----	-------	---------	---------------

OE Info

Manufacturer	OE Number	Reference info
MERCEDES-BENZ	1134600	
MERCEDES-BENZ	9424211112	
MERCEDES-BENZ	9424212112	
MERCEDES-BENZ	9424210912	
MERCEDES-BENZ	9424211012	
MERCEDES-BENZ	9424211212	
MERCEDES-BENZ	9424230012	