



*the company:*

*Autoclima is a company that deals every day with market demands, developing and producing customised Air Conditioning and Refrigeration Units as well as Spare Parts. Since the beginning our mission has been to reply to the market needs with innovation and vanguard on all our range of products. A network of authorised workshops ensure a fast service in 65 Countries. Our warehouse permanently supplied allows daily expeditions of all kind of goods purchased directly from our online webshop.*

*7 500 items on sale*

*800 000 pcs moved each year*

*16 000 m<sup>2</sup> - factory*

*118+ employees*

*65 export in 65 countries*

*3500 customers*

*5 italian warehouses*

*4 foreign branches*

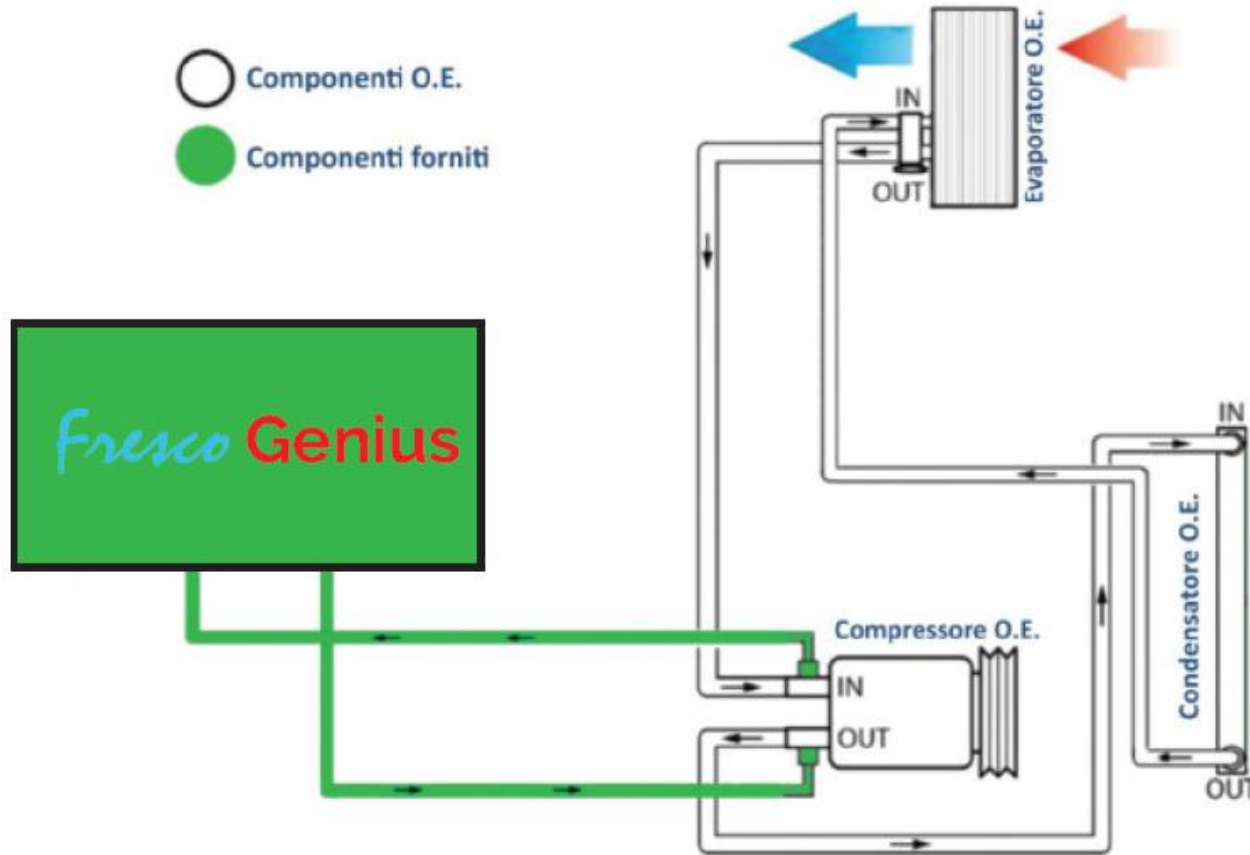
# Fresco

## THE RANGE



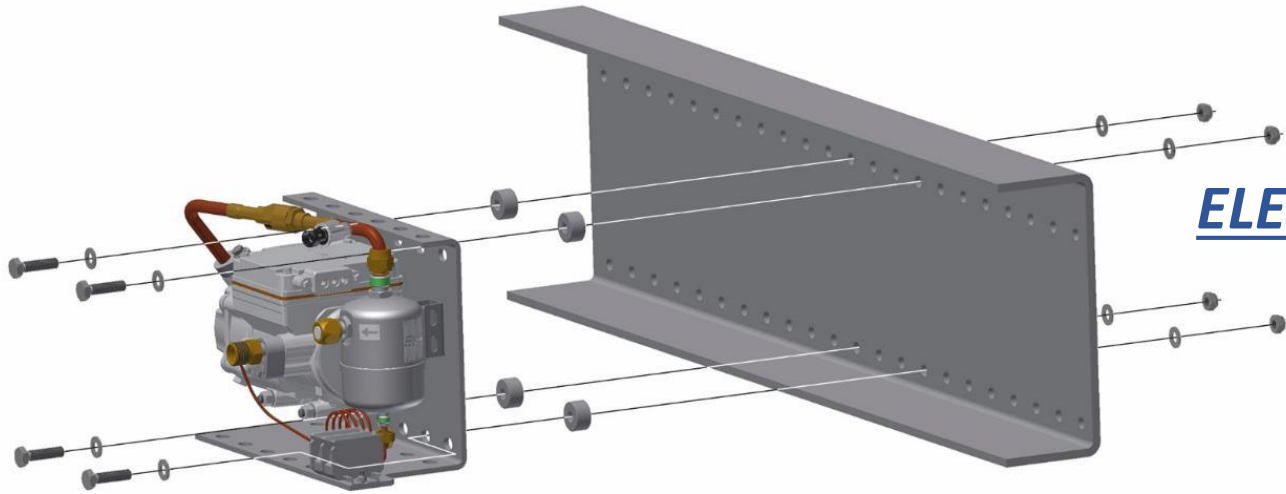


## REFRIGERANT CIRCUIT



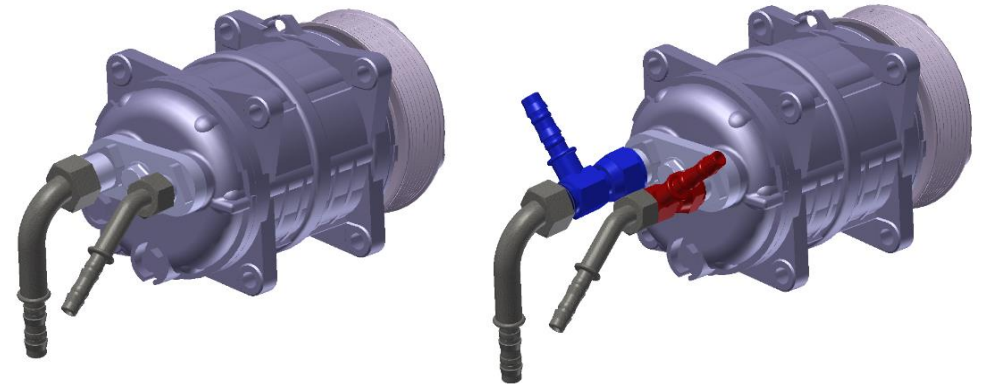
## Refrigerant Circuit Diagram

*In green all the parts supplied with the Fresco genius*



**ELECTRIC COMPRESSOR**

**'T' CONNECTIONS**





## Technical Specs

### Cooling capacity:

- Standard: *1050 watt*
- Max AC: *2800 watt*

### Electric absorption:

- Standard: *25,5v - 450 watt - 17,6 A/h*
- Max AC: *25.5 v - 950 watt - 37,2 A/h*



## Control Panel:

### Main controls:

*ON/OFF  
MAX AC on/off  
temperature control  
5 speed  
remote control  
battery saver sensor*

### Sensor available:

*Sensor air inlet - evaporator  
linear pressure sensor*

### Dimensions:

*60mm x 50mm x h22,5mm*



**the benefits** *compared to the actual  
Roof Top solution offered by the competitors:*

- Better aerodynamic efficiency
- Free hatch
- No increase of the height
- No noise to the cabin
- No weight increase
- Less noise
- Better performance
- Integrated 100% with the original A/C
- Settable
- Runtime and electric absorption aligned with current models in our range when is working in standard power of 1 kw
- Max A/C offers a 2.8 kw of cooling capacity, none of the present parking cooler on the market offers this performance.
- Remote control
- Battery saver sensor
- Suitable for R134a and R1234yf



## FRESCO 5000 Back 24v



## Technical Specs:

Cooling capacity	1600 Watt
Electric absorption	21A / 24V
Mod. Auto	1400 Watt
Mod. Min	1100 Watt
Absorption	11,5A / 24V
Air flow	250 m <sup>3</sup> /h
Remote control	Yes
Battery saver	Yes

### News

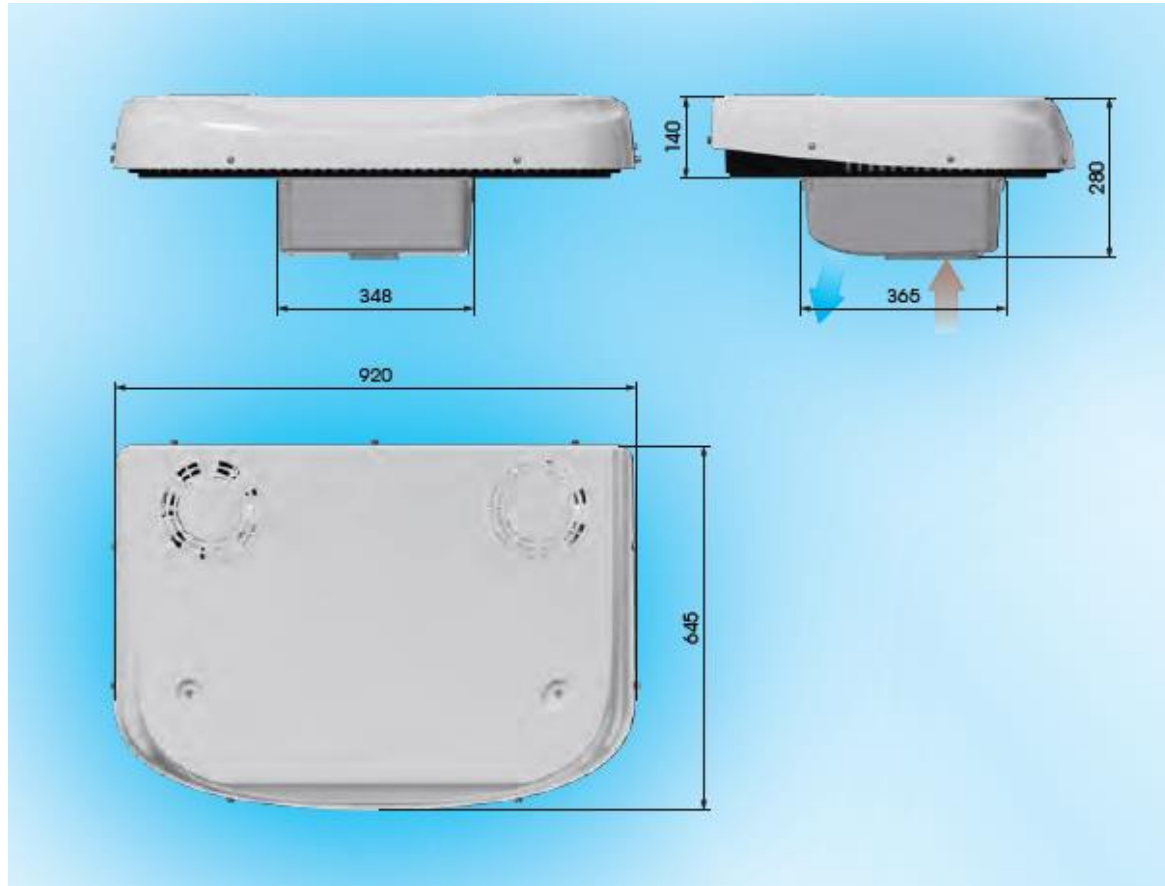
bigger cooling capacity  
3 mods  
compressor  
electric parts  
evaporator  
condenser fans  
fun condensator



# FRESCO 5000 Back 24v



## TECHNICAL SPECS:



Nominal data	technical	FRESCO 5000 RT
• Cooling capacity		1600 W (5460 BTU/h)
• Air flow *		650 m <sup>3</sup> /h
* (static pressure = 0 Pa)		
• N° of ventilation speed		6
• Working voltage		24 V cc
• Power consumption (MAX)		23A @ 24V
• Coolant		R134a
• Weight		23,4 kg
• Remote control		Si / Yes / Oui / Ja / Si
• Battery saver		Si / Yes / Oui / Ja / Si
• Timer		Si / Yes / Oui / Ja / Si

Thank you for  
the attention!

Fresco

*by:*

 **AUTOCLIMA**

