

27.58.617.237

BPW Trailer Axle SHSF 9010-15 ECO Plus 2



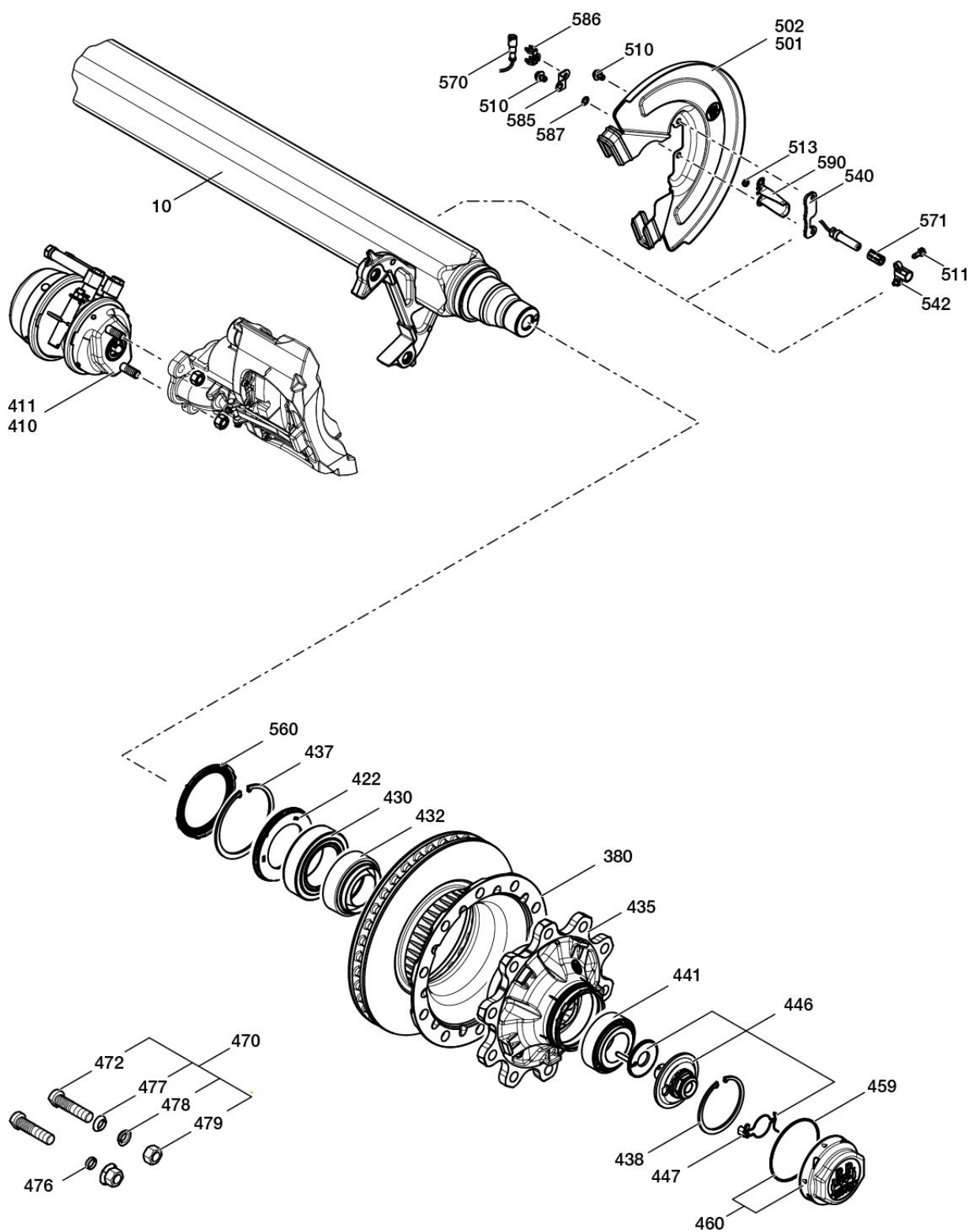
without spring seats
 with BPW trailer disc brake TSB 4309 - please read out BPW code number and request separately -
 Brake caliper 20° in direction of travel in front below
 with dust covers for off-road
 for ABS, with sensors
 Track 2040 mm
 for upper mounting suspension
 Wheel connection 280.8 / 335 / 10
 Wheel studs M 22 x 1.5
 without wheel nuts
Item 530 can be retrofitted as an option.

No.	Name	Code number	Dimension	Quantity
	BPW replacement brake caliper TSB 4309	09.362.72.11.2	brake caliper without brake pad 05.362.72.01.0 (type plate)	1
	BPW replacement brake caliper cpl. with brake pad BPW 8200, TSB 4309	09.362.72.11.3	brake caliper without brake pad 05.362.72.01.0 (type plate)	1
	BPW replacement brake caliper TSB 4309	09.362.72.12.2	brake caliper without brake pad 05.362.72.02.0 (type plate)	1
	BPW replacement brake caliper cpl. with brake pad BPW 8200, TSB 4309	09.362.72.12.3	brake caliper without brake pad 05.362.72.02.0 (type plate)	1
10	Axle beam assembly	11.11.111110	only upon request	1
380	Brake disc, 10 holes Replaced by 03.088.35.12.7	03.088.35.05.7	Ø 430 x 159,5 x 45 / 10 x 22,5 / 335	2
380	Brake disc, 10 holes	03.088.35.12.7	Ø 430 x 159,5 x 45 / 10 x 22,5 / 335	2
388	Repair kit brake pad TSB 4309 (BPW 8200) incl. item 370, 389, 394, 396 - 398	09.801.07.96.0	for one axle	1
393	Repair kit brake retaining clip item 394 - 398	09.801.07.68.1	for one axle	1
416	Repair kit roller bearings with axle bolt and hub cap item 422, 430, 432, 437 - 460	09.801.07.33.0		2
419	Repair kit roller bearings without axle bolt and hub cap pos. 422, 430, 437, 438, 441, 459	09.801.07.34.0		2
422	Thrust ring ECO Seal	02.5664.74.00	Ø 117,5 / 158 x 12,5	2
430	Roller bearing	02.6410.23.00	33118	2
432	Grease cartridge	03.120.47.08.0	Ø 101 / 130 x 50	2
434	Repair kit hub bearing (cpl. hub) item 422 - 460, 560	09.801.07.35.0	with hub 03.272.43.29.0	2
435	Hub	03.272.43.29.0	Ø 137 / 120/150 / 280,8 / 10 x Ø 22 / 335	2
437	Locking ring	02.5606.58.90	Ø 158 x 4	2
438	Locking ring	02.5606.22.90	Ø 122 x 4	2
441	Roller bearing	02.6410.22.00	33213	2
446	Axle bolt with toothed washer incl. item 447	09.001.37.03.0	M 32 x 2 / SW 46	2

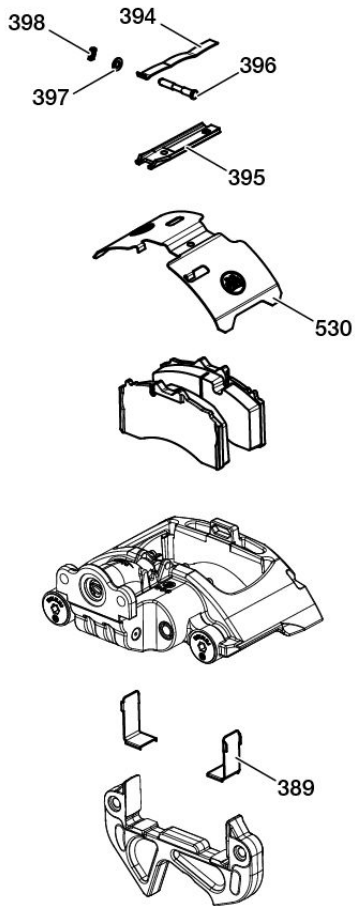
27.58.617.237**BPW Trailer Axle SHSF 9010-15 ECO Plus 2**

No.	Name	Code number	Dimension	Quantity
447	Hooked spring ring cpl. with locking piece item 448, 449	05.188.03.10.0		2
448	Hooked spring ring	03.188.03.09.0	Model no longer available.	2
449	Locking piece	03.277.10.01.0		2
459	O-ring	02.5678.65.00	Ø 128 x 3	2
460	Hub cap (bayonet) incl. item 459	05.212.25.78.0	Ø 137 / 142,6 x 56,3 / SW 120 / BPW	2
472	Wheel stud (helical fit wheel stud)	03.296.33.14.1	M 22 x 1,5 / 89 / 54	20
500	Supplementary installation kit cover plates for brake discs TSB 4309 item 501, 502, 510	09.801.07.52.0		1
501	Dust cover for off-road □ 120	03.010.71.61.0		1
502	Dust cover for off-road □ 120	03.010.71.62.0		1
510	Locking screw	02.5071.22.00	M 10 x 15 - 10.9 / SW 13	4
511	Locking screw	02.5071.23.00	M 8 x 20 - 10.9 / SW 13 / Torx Plus 40IP	2
513	Sealing ring	02.5681.78.00	Ø 6 / 10 / 13 x 7	2
530	Brake lining - dust cover	03.010.95.32.0	140 x 290 x 1,5	2
535	Supplementary installation kit ABS item 459, 510 - 590, 900	05.801.74.54.0		1
540	Attachment plate	03.285.34.15.0		2
542	Sensor bracket	03.189.14.61.0	L = 19,5 mm	2
560	Exciter ring	03.310.08.51.0	Ø 125 / 156 x 8,5 (100 Z)	2
570	Sensor	02.3317.07.00	L = 350 mm	2
571	Bush for ABS	02.0316.59.00	Ø 16 / 18,4 x 31,5	2
585	Support	03.189.07.35.0		2
586	Retaining clip	02.1421.11.00		2
587	Serrated lock washer	02.5414.11.90	A 10,5	2
590	Heat protection cover	03.165.14.23.0		2
900	Special grease for ABS-sensors	02.1040.17.00		1

27.58.617.237
BPW Trailer Axle SHSF 9010-15 ECO Plus 2



27.58.617.237 BPW Trailer Axle SHSF 9010-15 ECO Plus 2



09.362.72.11.2 BPW replacement brake caliper TSB 4309



BPW replacement brake caliper (pre greased)

incl. guide pins and attachment parts

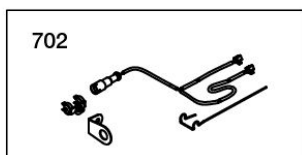
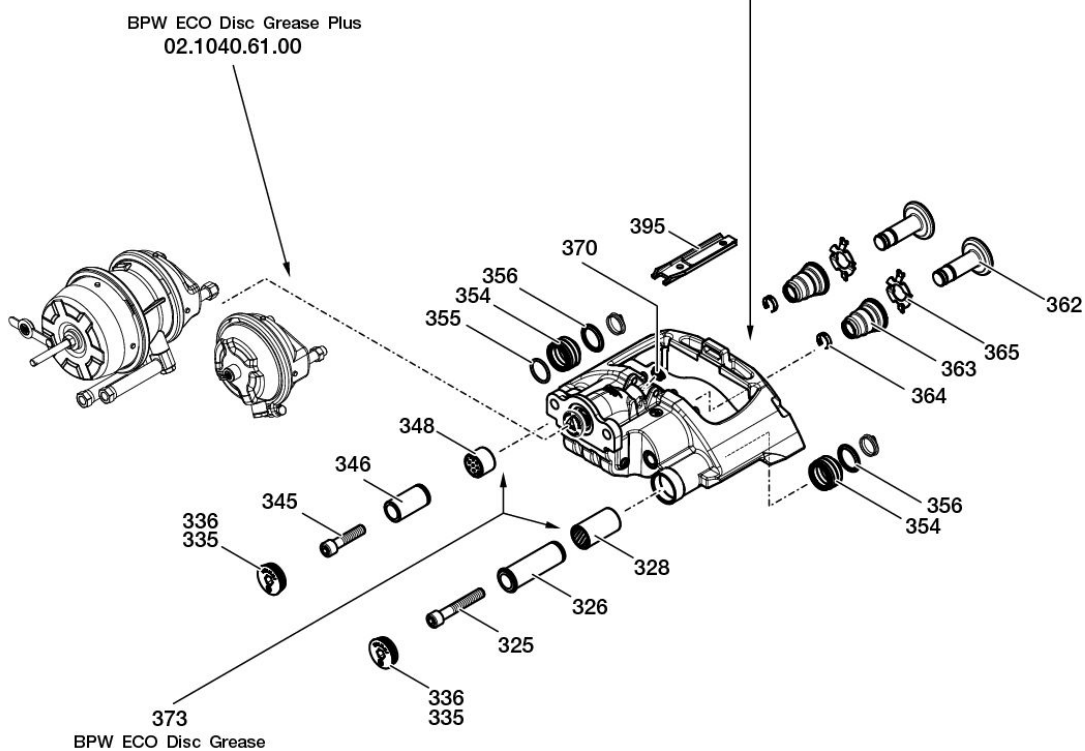
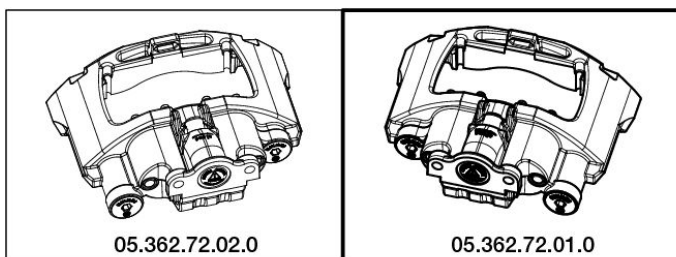
Type L

brake caliper without brake pad 05.362.72.01.0 (type plate)

Item 702 can be retrofitted as an option.

No.	Name	Code number	Dimension	Quantity
323	Repair kit guide pins TSB item 325, 326, 328, 345, 346, 348, 373	09.801.07.61.1	for one axle side	1
324	Repair kit cylinder head screw + sealing cap TSB item 325, 335, 345	09.801.08.47.1	for one axle side	1
325	Cylinder head screw	03.340.12.32.0	M 16 x 1,5 x 103 - 10.9 / SW 14	1
326	Guide pin, long (fixed bearing)	05.001.00.41.0	Ø 17 / 26 / 37 x 123	1
328	Guide bush (fixed bearing)	03.112.33.13.0	Ø 37 / 41 x 73	1
334	Repair kit sealing cap item 335, 356	09.801.07.87.0	for one axle side	1
335	Sealing cap incl. item 336	05.001.00.45.0	M 49 x 1,5 / SW 14	2
336	O-ring	02.5679.97.40	Ø 45 x 2	2
345	Cylinder head screw	03.340.12.31.0	M 16 x 1,5 x 73 - 10.9 / SW 14	1
346	Guide pin, short (floating bearing)	03.001.00.35.0	Ø 17 / 26 / 36 x 70	1
348	Guide bush (floating bearing)	03.112.33.14.0	Ø 37 / 41 x 30	1
352	Repair kit seal for guide pins TSB item 335, 336, 354, 355, 356, 370, 373	09.801.07.62.0	for one axle side	1
354	Bellow	05.130.08.27.0	Ø 52 x 34	2
355	O-ring	02.5679.98.40	Ø 36 x 3,5	1
356	Ring	03.310.11.19.0	Ø 37 / 48 x 5,4	2
360	Repair kit tappet TSB item 362 - 365	09.801.07.63.1	for one axle side	1
362	Tappet	03.127.18.03.0		2
363	Bellow	05.130.07.07.0	Ø 26 / 55 x 62	2
364	Holding clamp	03.001.57.01.0	Ø 25 x 7	2
365	Dirt seal	03.121.30.15.0	Ø 55 x 1,5	2
370	Plug	02.3704.69.00	Ø 24 x 9	1
373	BPW ECO Disc Grease	02.1040.60.00	25 g	1
395	Pad holding bar	03.001.00.54.0	170 x 41,5 Only deliverable per kit 09.801.07.68.1!	1
702	Wear sensor set TSB for one axle	05.801.49.50.0		1

09.362.72.11.2 BPW replacement brake caliper TSB 4309



09.362.72.11.3

BPW replacement brake caliper cpl. with brake pad BPW 8200, TSB 4309



BPW replacement brake caliper (pre greased)
incl. guide pins and attachment parts

Type L

brake caliper without brake pad 05.362.72.01.0 (type plate)

Item 702 can be retrofitted as an option.

No.	Name	Code number	Dimension	Quantity
323	Repair kit guide pins TSB item 325, 326, 328, 345, 346, 348, 373	09.801.07.61.1	for one axle side	1
324	Repair kit cylinder head screw + sealing cap TSB item 325, 335, 345	09.801.08.47.1	for one axle side	1
325	Cylinder head screw	03.340.12.32.0	M 16 x 1,5 x 103 - 10.9 / SW 14	1
326	Guide pin, long (fixed bearing)	05.001.00.41.0	Ø 17 / 26 / 37 x 123	1
328	Guide bush (fixed bearing)	03.112.33.13.0	Ø 37 / 41 x 73	1
334	Repair kit sealing cap item 335, 356	09.801.07.87.0	for one axle side	1
335	Sealing cap incl. item 336	05.001.00.45.0	M 49 x 1,5 / SW 14	2
336	O-ring	02.5679.97.40	Ø 45 x 2	2
345	Cylinder head screw	03.340.12.31.0	M 16 x 1,5 x 73 - 10.9 / SW 14	1
346	Guide pin, short (floating bearing)	03.001.00.35.0	Ø 17 / 26 / 36 x 70	1
348	Guide bush (floating bearing)	03.112.33.14.0	Ø 37 / 41 x 30	1
352	Repair kit seal for guide pins TSB item 335, 336, 354, 355, 356, 370, 373	09.801.07.62.0	for one axle side	1
354	Bellow	05.130.08.27.0	Ø 52 x 34	2
355	O-ring	02.5679.98.40	Ø 36 x 3,5	1
356	Ring	03.310.11.19.0	Ø 37 / 48 x 5,4	2
360	Repair kit tappet TSB item 362 - 365	09.801.07.63.1	for one axle side	1
362	Tappet	03.127.18.03.0		2
363	Bellow	05.130.07.07.0	Ø 26 / 55 x 62	2
364	Holding clamp	03.001.57.01.0	Ø 25 x 7	2
365	Dirt seal	03.121.30.15.0	Ø 55 x 1,5	2
370	Plug	02.3704.69.00	Ø 24 x 9	2
373	BPW ECO Disc Grease	02.1040.60.00	25 g	1
389	Wearing plate TSB 4309	03.163.04.03.1	Only deliverable per kit 09.801.07.96.0!	4
390	Brake pad drilled TSB 4309 (BPW 8200)	05.092.90.13.1	Only deliverable per kit 09.801.07.96.0!	2
393	Repair kit brake retaining clip item 394 - 398	09.801.07.68.1	for one axle	1
394	Clamping spring	03.352.00.08.1	Only deliverable per kit 09.801.07.68.1 / 09.801.07.94.0 (TSB 3709) / 09.801.07.96.0 (TSB 4309) / 09.801.07.98.0 (TSB 4312)!	2

09.362.72.11.3

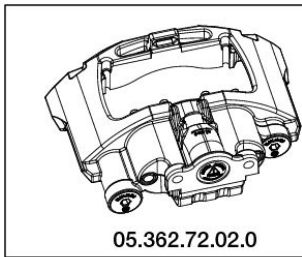
BPW replacement brake caliper cpl. with brake pad BPW 8200, TSB 4309



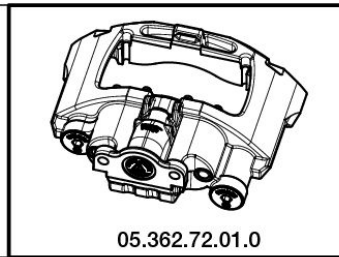
No.	Name	Code number	Dimension	Quantity
395	Pad holding bar	03.001.00.54.0	170 x 41,5 Only deliverable per kit 09.801.07.68.1!	1
396	Bolt	03.084.32.33.0	Ø 10 x 64,5 / 75	2
397	Washer	02.5404.10.04	Ø 10,5	2
398	Lock	02.3301.31.00		2
702	Wear sensor set TSB for one axle	05.801.49.50.0		1

09.362.72.11.3

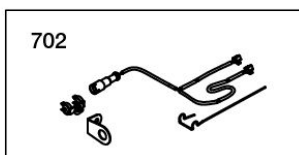
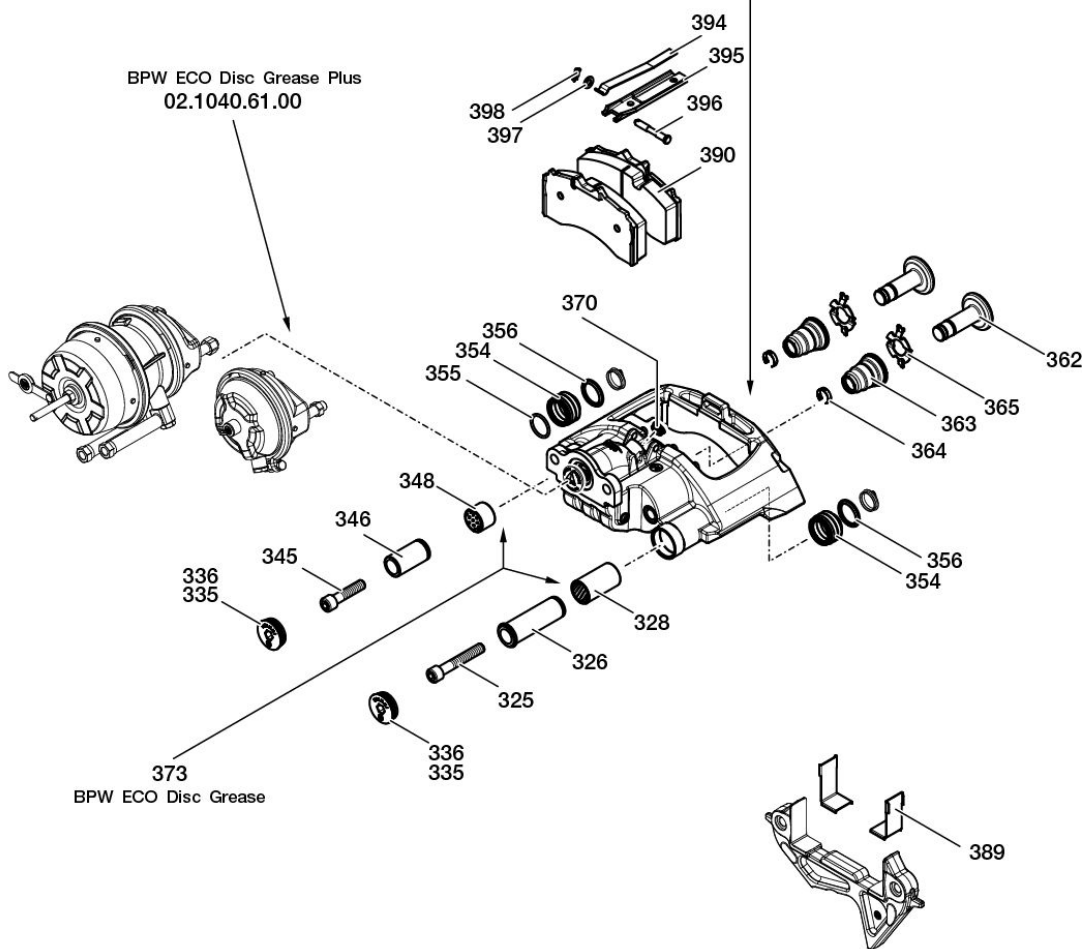
BPW replacement brake caliper cpl. with brake pad BPW 8200, TSB 4309



05.362.72.02.0



05.362.72.01.0



702

09.362.72.12.2 BPW replacement brake caliper TSB 4309



BPW replacement brake caliper (pre greased)
incl. guide pins and attachment parts

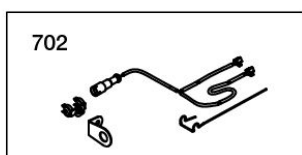
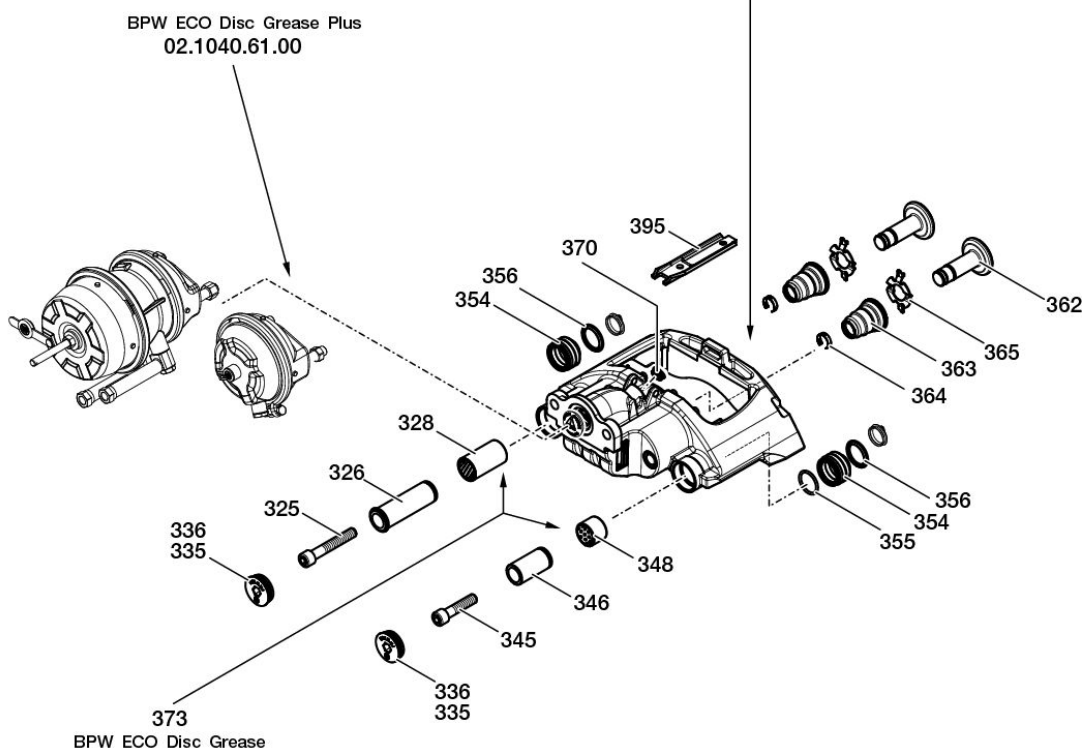
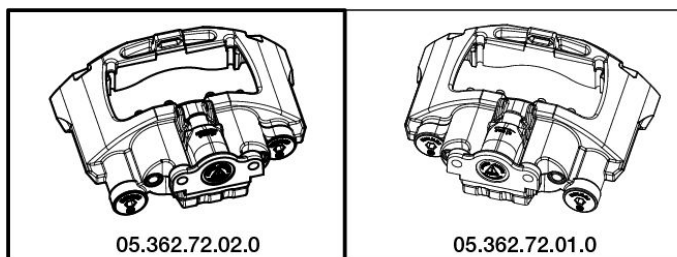
Type F

brake caliper without brake pad 05.362.72.02.0 (type plate)

Item 702 can be retrofitted as an option.

No.	Name	Code number	Dimension	Quantity
323	Repair kit guide pins TSB item 325, 326, 328, 345, 346, 348, 373	09.801.07.61.1	for one axle side	1
324	Repair kit cylinder head screw + sealing cap TSB item 325, 335, 345	09.801.08.47.1	for one axle side	1
325	Cylinder head screw	03.340.12.32.0	M 16 x 1,5 x 103 - 10.9 / SW 14	1
326	Guide pin, long (fixed bearing)	05.001.00.41.0	Ø 17 / 26 / 37 x 123	1
328	Guide bush (fixed bearing)	03.112.33.13.0	Ø 37 / 41 x 73	1
334	Repair kit sealing cap item 335, 356	09.801.07.87.0	for one axle side	1
335	Sealing cap incl. item 336	05.001.00.45.0	M 49 x 1,5 / SW 14	2
336	O-ring	02.5679.97.40	Ø 45 x 2	2
345	Cylinder head screw	03.340.12.31.0	M 16 x 1,5 x 73 - 10.9 / SW 14	1
346	Guide pin, short (floating bearing)	03.001.00.35.0	Ø 17 / 26 / 36 x 70	1
348	Guide bush (floating bearing)	03.112.33.14.0	Ø 37 / 41 x 30	1
352	Repair kit seal for guide pins TSB item 335, 336, 354, 355, 356, 370, 373	09.801.07.62.0	for one axle side	1
354	Bellow	05.130.08.27.0	Ø 52 x 34	2
355	O-ring	02.5679.98.40	Ø 36 x 3,5	1
356	Ring	03.310.11.19.0	Ø 37 / 48 x 5,4	2
360	Repair kit tappet TSB item 362 - 365	09.801.07.63.1	for one axle side	1
362	Tappet	03.127.18.03.0		2
363	Bellow	05.130.07.07.0	Ø 26 / 55 x 62	2
364	Holding clamp	03.001.57.01.0	Ø 25 x 7	2
365	Dirt seal	03.121.30.15.0	Ø 55 x 1,5	2
370	Plug	02.3704.69.00	Ø 24 x 9	1
373	BPW ECO Disc Grease	02.1040.60.00	25 g	1
395	Pad holding bar	03.001.00.54.0	170 x 41,5 Only deliverable per kit 09.801.07.68.1!	1
702	Wear sensor set TSB for one axle	05.801.49.50.0		1

09.362.72.12.2 BPW replacement brake caliper TSB 4309



09.362.72.12.3

BPW replacement brake caliper cpl. with brake pad BPW 8200, TSB 4309



BPW replacement brake caliper (pre greased)

incl. guide pins and attachment parts

Type F

brake caliper without brake pad 05.362.72.02.0 (type plate)

Item 702 can be retrofitted as an option.

No.	Name	Code number	Dimension	Quantity
323	Repair kit guide pins TSB item 325, 326, 328, 345, 346, 348, 373	09.801.07.61.1	for one axle side	1
324	Repair kit cylinder head screw + sealing cap TSB item 325, 335, 345	09.801.08.47.1	for one axle side	1
325	Cylinder head screw	03.340.12.32.0	M 16 x 1,5 x 103 - 10.9 / SW 14	1
326	Guide pin, long (fixed bearing)	05.001.00.41.0	Ø 17 / 26 / 37 x 123	1
328	Guide bush (fixed bearing)	03.112.33.13.0	Ø 37 / 41 x 73	1
334	Repair kit sealing cap item 335, 356	09.801.07.87.0	for one axle side	1
335	Sealing cap incl. item 336	05.001.00.45.0	M 49 x 1,5 / SW 14	2
336	O-ring	02.5679.97.40	Ø 45 x 2	2
345	Cylinder head screw	03.340.12.31.0	M 16 x 1,5 x 73 - 10.9 / SW 14	1
346	Guide pin, short (floating bearing)	03.001.00.35.0	Ø 17 / 26 / 36 x 70	1
348	Guide bush (floating bearing)	03.112.33.14.0	Ø 37 / 41 x 30	1
352	Repair kit seal for guide pins TSB item 335, 336, 354, 355, 356, 370, 373	09.801.07.62.0	for one axle side	1
354	Bellow	05.130.08.27.0	Ø 52 x 34	2
355	O-ring	02.5679.98.40	Ø 36 x 3,5	1
356	Ring	03.310.11.19.0	Ø 37 / 48 x 5,4	2
360	Repair kit tappet TSB item 362 - 365	09.801.07.63.1	for one axle side	1
362	Tappet	03.127.18.03.0		2
363	Bellow	05.130.07.07.0	Ø 26 / 55 x 62	2
364	Holding clamp	03.001.57.01.0	Ø 25 x 7	2
365	Dirt seal	03.121.30.15.0	Ø 55 x 1,5	2
370	Plug	02.3704.69.00	Ø 24 x 9	2
373	BPW ECO Disc Grease	02.1040.60.00	25 g	1
389	Wearing plate TSB 4309	03.163.04.03.1	Only deliverable per kit 09.801.07.96.0!	4
390	Brake pad drilled TSB 4309 (BPW 8200)	05.092.90.13.1	Only deliverable per kit 09.801.07.96.0!	2
393	Repair kit brake retaining clip item 394 - 398	09.801.07.68.1	for one axle	1
394	Clamping spring	03.352.00.08.1	Only deliverable per kit 09.801.07.68.1 / 09.801.07.94.0 (TSB 3709) / 09.801.07.96.0 (TSB 4309) / 09.801.07.98.0 (TSB 4312)!	2

09.362.72.12.3

BPW replacement brake caliper cpl. with brake pad BPW 8200, TSB 4309



No.	Name	Code number	Dimension	Quantity
395	Pad holding bar	03.001.00.54.0	170 x 41,5 Only deliverable per kit 09.801.07.68.1!	1
396	Bolt	03.084.32.33.0	Ø 10 x 64,5 / 75	2
397	Washer	02.5404.10.04	Ø 10,5	2
398	Lock	02.3301.31.00		2
702	Wear sensor set TSB for one axle	05.801.49.50.0		1

09.362.72.12.3

BPW replacement brake caliper cpl. with brake pad BPW 8200, TSB 4309

