

09.362.72.13.0**BPW replacement brake caliper cpl. with brake pad BPW 8200, TSB 3709**

BPW replacement brake caliper (pre greased)
incl. guide pins and attachment parts

Type L

brake caliper without brake pad 05.362.72.03.0 (type plate)

| No. | Name | Code number | Dimension | Quantity |
|-----|--|----------------|--|----------|
| 323 | Repair kit guide pins TSB item 325, 326, 328, 345, 346, 348, 373 | 09.801.07.61.1 | for one axle side | 1 |
| 324 | Repair kit cylinder head screw + sealing cap TSB item 325, 335, 345 | 09.801.08.47.1 | for one axle side | 1 |
| 325 | Cylinder head screw | 03.340.12.32.0 | M 16 x 1,5 x 103 - 10.9 / SW 14 | 1 |
| 326 | Guide pin, long (fixed bearing) | 05.001.00.41.0 | Ø 17 / 26 / 37 x 123 | 1 |
| 328 | Guide bush (fixed bearing) | 03.112.33.13.0 | Ø 37 / 41 x 73 | 1 |
| 334 | Repair kit sealing cap item 335, 356 | 09.801.07.87.0 | for one axle side | 1 |
| 335 | Sealing cap incl. item 336 | 05.001.00.45.0 | M 49 x 1,5 / SW 14 | 2 |
| 336 | O-ring | 02.5679.97.40 | Ø 45 x 2 | 2 |
| 345 | Cylinder head screw | 03.340.12.31.0 | M 16 x 1,5 x 73 - 10.9 / SW 14 | 1 |
| 346 | Guide pin, short (floating bearing) | 03.001.00.35.0 | Ø 17 / 26 / 36 x 70 | 1 |
| 348 | Guide bush (floating bearing) | 03.112.33.14.0 | Ø 37 / 41 x 30 | 1 |
| 352 | Repair kit seal for guide pins TSB item 335, 336, 354, 355, 356, 370, 373 | 09.801.07.62.0 | for one axle side | 1 |
| 354 | Bellow | 05.130.08.27.0 | Ø 52 x 34 | 2 |
| 355 | O-ring | 02.5679.98.40 | Ø 36 x 3,5 | 1 |
| 356 | Ring | 03.310.11.19.0 | Ø 37 / 48 x 5,4 | 2 |
| 360 | Repair kit tappet TSB item 362 - 365 | 09.801.07.63.1 | for one axle side | 1 |
| 362 | Tappet | 03.127.18.03.0 | | 2 |
| 363 | Bellow | 05.130.07.07.0 | Ø 26 / 55 x 62 | 2 |
| 364 | Holding clamp | 03.001.57.01.0 | Ø 25 x 7 | 2 |
| 365 | Dirt seal | 03.121.30.15.0 | Ø 55 x 1,5 | 2 |
| 370 | Plug | 02.3704.69.00 | Ø 24 x 9 | 3 |
| 373 | BPW ECO Disc Grease | 02.1040.60.00 | 25 g | 1 |
| 388 | Repair kit brake pad TSB 3709 (BPW 8200) incl. item 370, 389, 394, 396 - 398 | 09.801.07.94.0 | for one axle | 1 |
| 389 | Wearing plate TSB 3709 | 03.163.04.02.1 | Only deliverable per kit 09.801.07.94.0! | 6 |
| 390 | Brake pad drilled TSB 3709 (BPW 8200) | 05.092.90.12.1 | Only deliverable per kit 09.801.07.94.0! | 2 |
| 393 | Repair kit brake retaining clip item 394 - 398 | 09.801.07.68.1 | for one axle | 1 |
| 394 | Clamping spring | 03.352.00.08.1 | Only deliverable per kit 09.801.07.68.1 / 09.801.07.94.0 (TSB 3709) / 09.801.07.96.0 (TSB 4309) / 09.801.07.98.0 (TSB 4312)! | 3 |

09.362.72.13.0

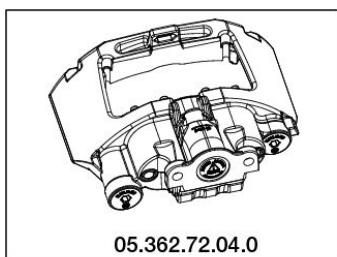
BPW replacement brake caliper cpl. with brake pad BPW 8200, TSB 3709



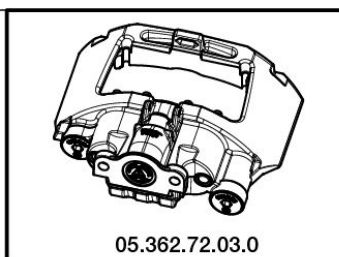
| No. | Name | Code number | Dimension | Quantity |
|-----|---------------------------------|----------------|---|----------|
| 395 | Pad holding bar | 03.001.00.54.0 | 170 x 41,5 Only deliverable per kit 09.801.07.68.1! | 3 |
| 396 | Bolt | 03.084.32.33.0 | Ø 10 x 64,5 / 75 | 3 |
| 397 | Washer | 02.5404.10.04 | Ø 10,5 | 3 |
| 398 | Lock | 02.3301.31.00 | | 3 |
| 702 | Wear sensor set for one axle | 05.801.49.50.0 | | 1 |

09.362.72.13.0

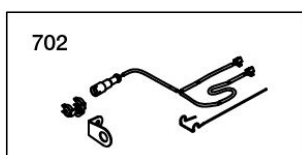
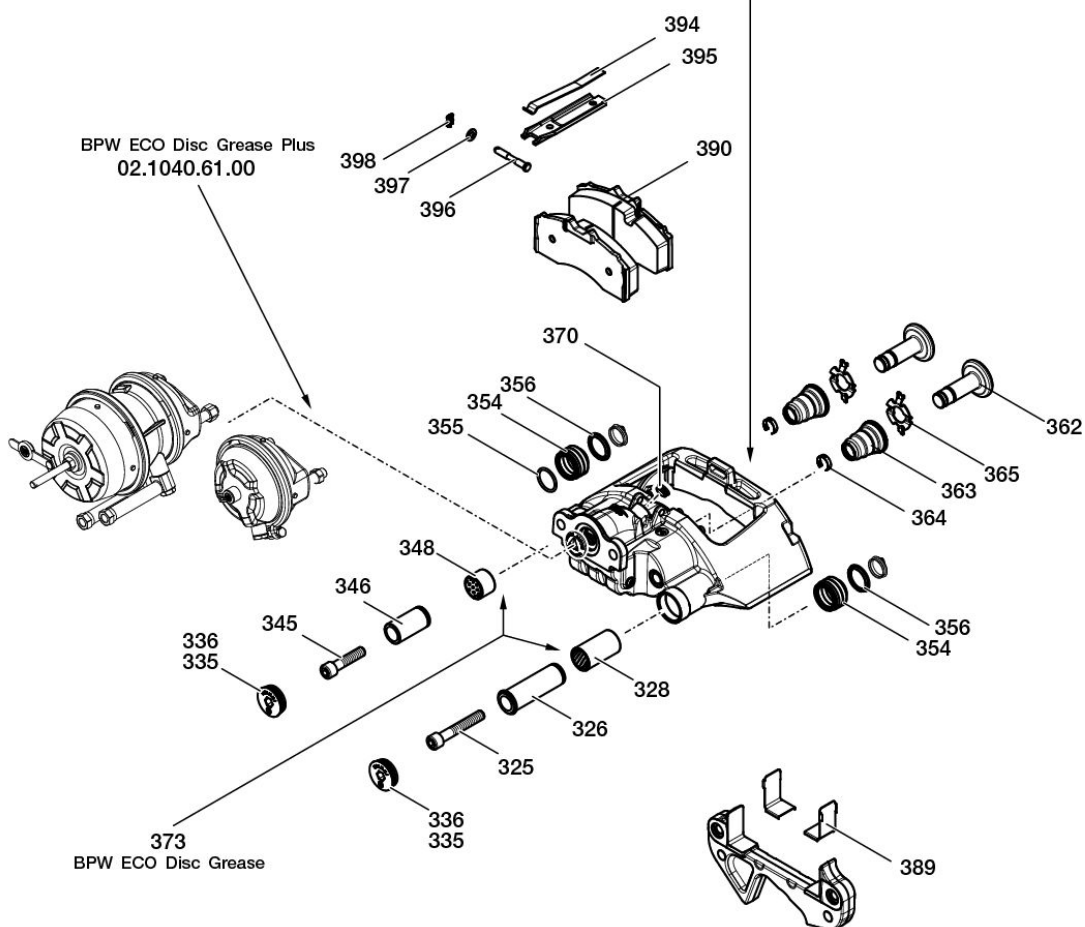
BPW replacement brake caliper cpl. with brake pad BPW 8200, TSB 3709



05.362.72.04.0



05.362.72.03.0



702